
SECTION Q

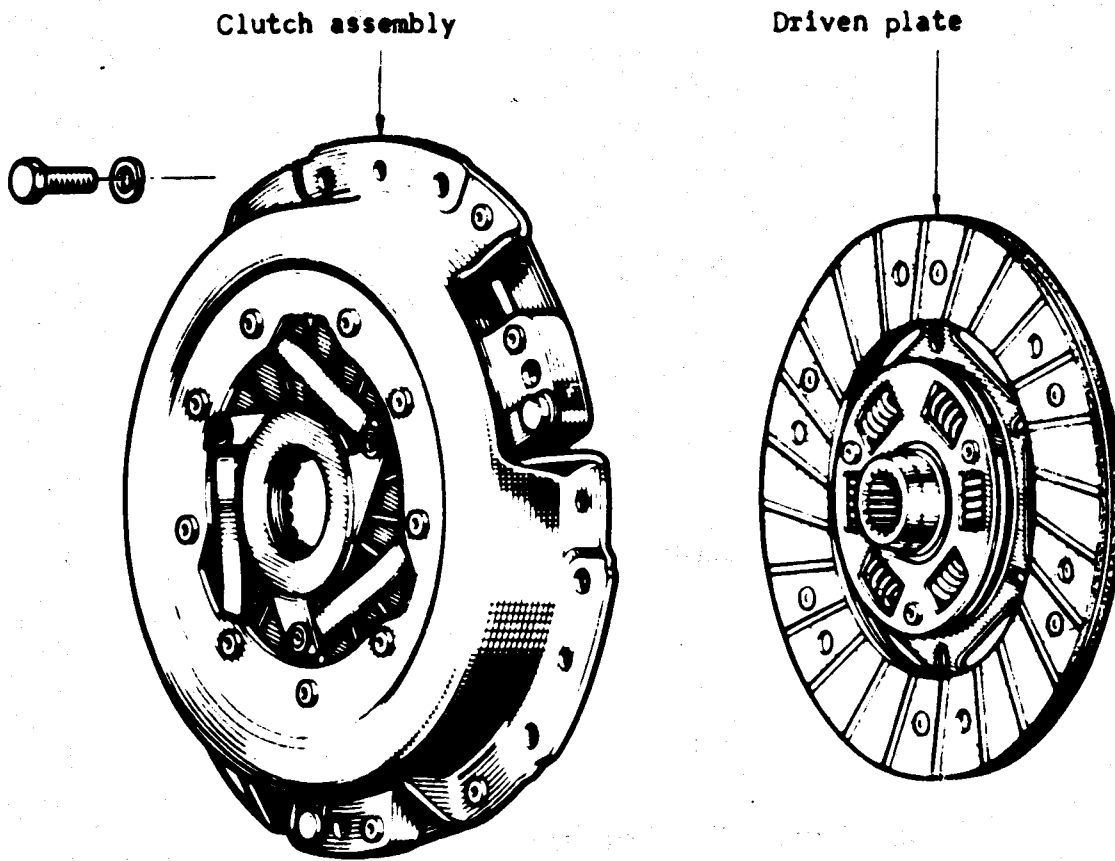
CLUTCH

<u>Section</u>	<u>Description</u>	<u>Page</u>
Q.1	REMOVING,OVERHAULING AND REFITTING THE CLUTCH ..	3
Q.2	REPLACING THE CLUTCH SHAFT BEARING	4
Q.3	REPLACING THE SEAL ON THE CLUTCH SHAFT	5
Q.4	ADJUSTING THE CLUTCH CLEARANCE	6
Q.5	REPLACING THE CLUTCH WITHDRAWAL PAD	7
Q.6	REMOVING AND REFITTING THE CLUTCH CABLE	8
Q.7	REMOVING AND REFITTING THE CLUTCH PEDAL	8

ADDITIONAL INFORMATION

Q.8	CLUTCH CABLE FORWARD ABUTMENT.....	10
-----	------------------------------------	----

Fig. 1 - Components of the clutch.



The type number is stamped
on the front face of the
plate : 200 D.

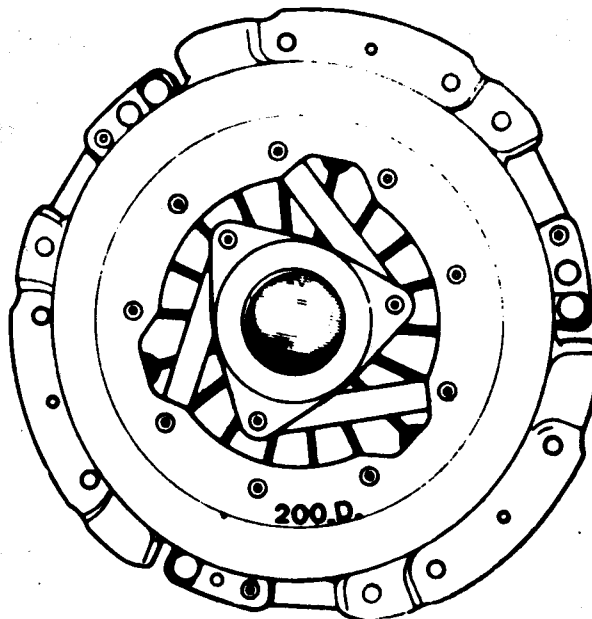
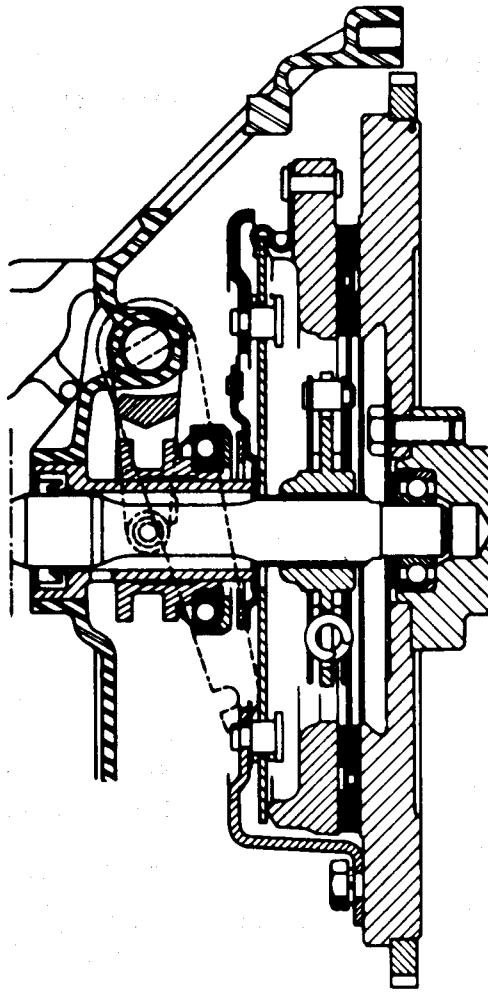


Fig. 2 - Clutch identification number.

Fig. 3 - Cross section.



Q.1 - REMOVING, OVERHAULING AND REFITTING THE CLUTCH.

A/ REMOVING

Remove the gearbox (see Section F).
 Mark the position of the clutch mechanism with reference to the flywheel.
 Remove the clutch mechanism securing bolts.
 Remove the clutch mechanism and the friction disc.

B/ CHECKING

Check all the parts.
 Replace any defective parts.
Refacing the clutch friction face on the flywheel is not possible.
 The flywheel is to be replaced if this face is damaged (see Section E).
 Check to ensure that there is an 8 mm (.315") diameter hole at the bottom of the withdrawal pad guide.
 If there is not, drill one as shown on page 5.

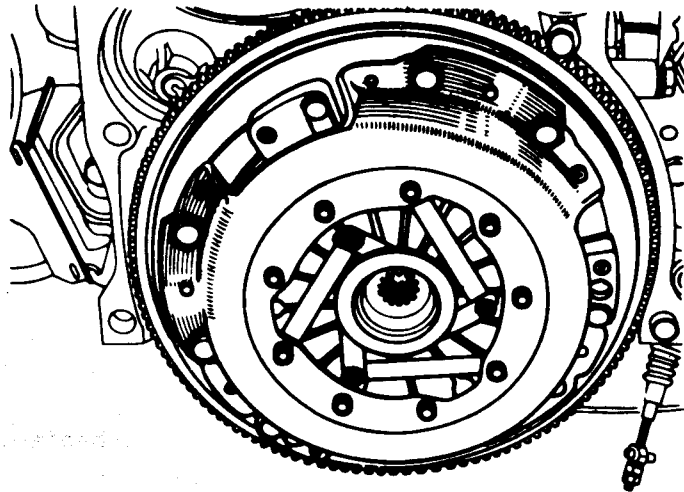


Fig. 4 - Clutch and flywheel assembly.

C/ REFITTING

Degrease the flywheel friction face.

Fit the disc with the off-set on the hub towards the gearbox (transmission case). Position the clutch mechanism by means of the position mark made during dismantling, when applicable.

Centralize the disc by means of mandrel (Part No 46Q 6006). Slowly screw in the bolts which secure the mechanism and then finally tighten them. Refit the gearbox (transmission case).

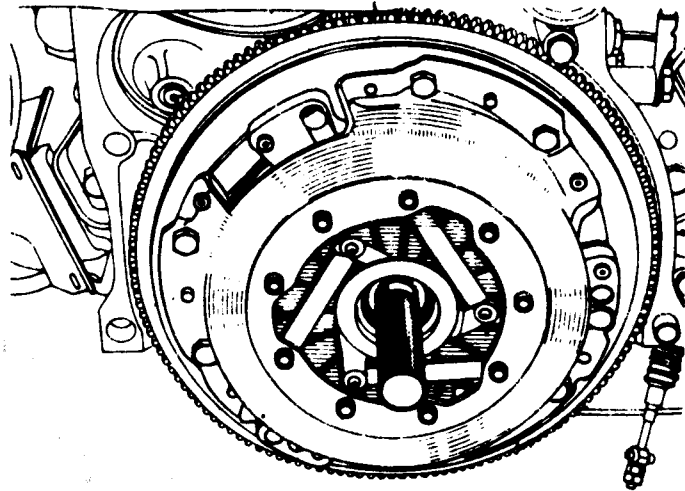
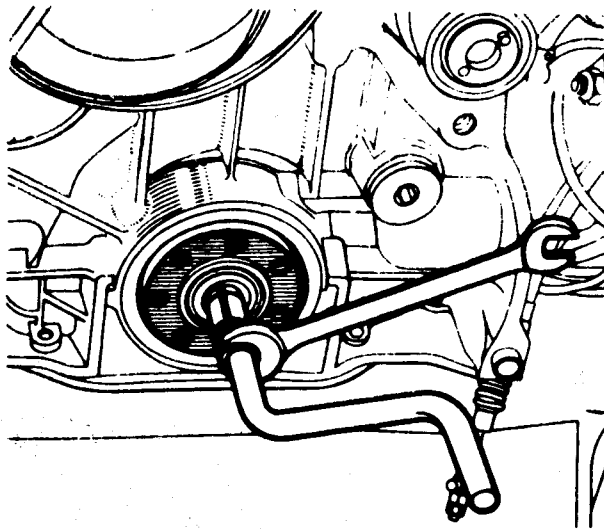


Fig. 5 - Clutch centralizing tool in position.

Q.2 - REPLACING THE CLUTCH SHAFT BEARING.

Fig. 6 - Extracting the bearing.



Remove the gearbox (see Section F).

Remove :

- the clutch mechanism and friction disc,
- the flywheel.

Extract the bearing by means of extractor (Part No 46E 6351).

Fit the new bearing with the seal facing towards the outside.

NOTE - The bearing is supplied pre-greased and is therefore not to be cleaned.

Refit :

- the flywheel (see Section E).
- the clutch friction disc and mechanism.
- the gearbox (see Section F).

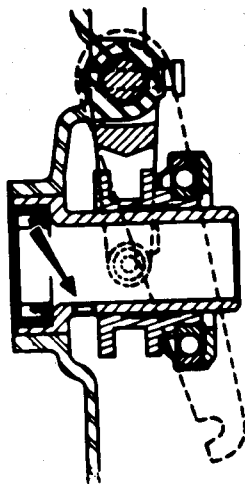
Q.3 - REPLACING THE SEAL ON THE CLUTCH SHAFT.

Fig. 7 - Hole location

If there is no hole, drill one as follows :

- Place tool (Part No 46Q 6009).
- Place the thrust washer in position and screw up the retaining nut.
- Position the centre of the hole in the tool on the vertical centre line of the clutch housing and tighten the nut.

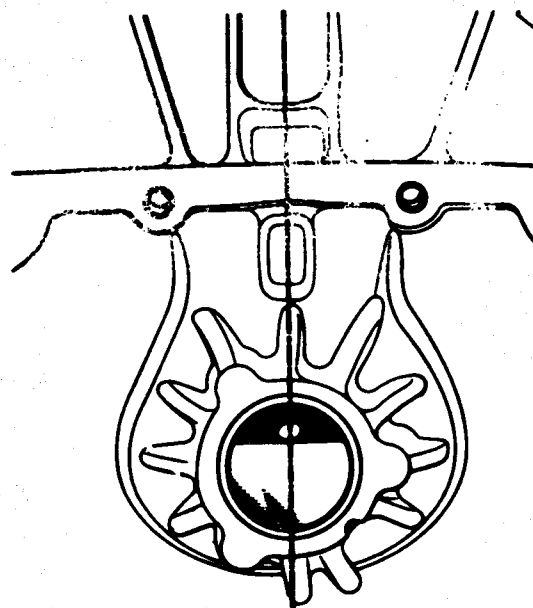


Fig. 8 - Positioning the drilling guide.

- Move the clutch withdrawal pad as far as it will go forward and hold it in position by means of a spacer.
- Slowly drill the hole with a 7 mm (.276") diameter drill.
- Remove the tool and carefully remove the burrs from the edges of the hole.
- Fit the new seal with its lip towards the gearbox (transmission case).
- Fit the clutch housing to the gearbox paying attention not to damage the lip on the seal as it passes over the splines.

To do this, wrap adhesive plastic tape round the splines.

Refit the gearbox (see Section F).

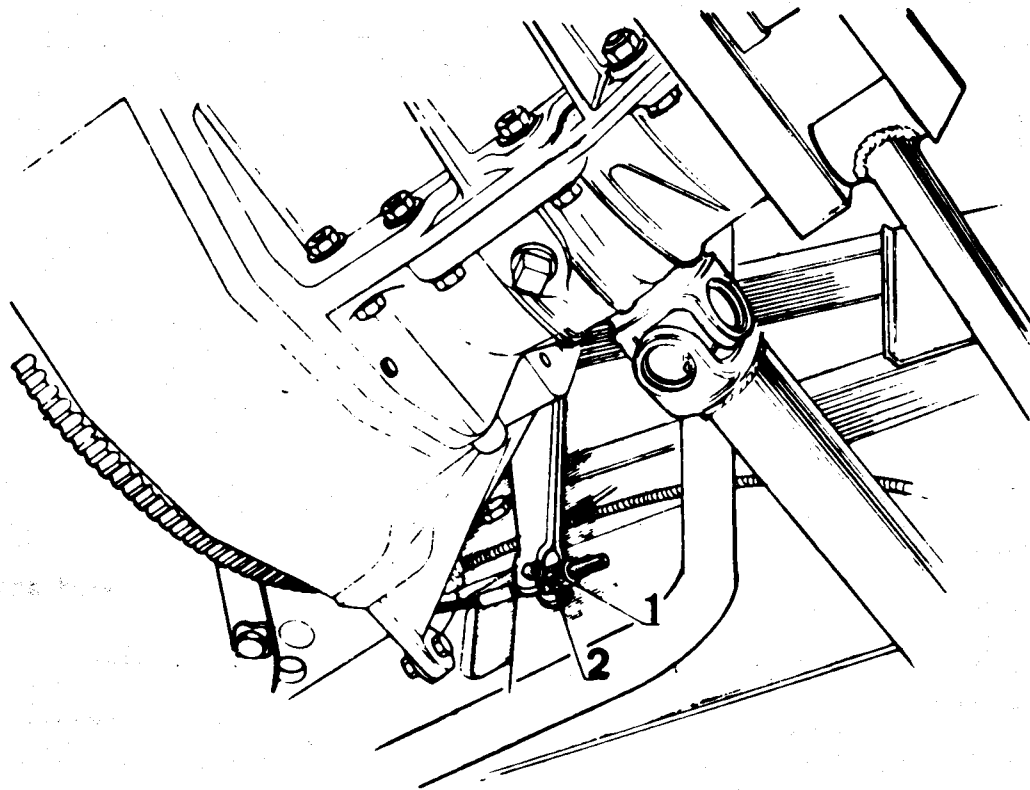
Q.4 - ADJUSTING THE CLUTCH CLEARANCE.

Fig. 9 - Clutch lever adjustment.

Loosen lock-nut (1).
Screw nut (2) in or out to obtain a clearance of : 2 to 3 mm (5/64 to 1/8") at
the end of the lever.

Tighten the lock-nut.

4.5 - REPLACING THE CLUTCH WITHDRAWAL PAD.

Remove the gearbox (transmission case)
(see Section F).

Remove the fork retaining pins by means of :

- tool (Part No 46Q 6007) for cylindrical pins A.
- tool (Part No 46Q 6008) for splined pins B.

Swing the withdrawal fork and remove the withdrawal pad.

Grease the withdrawal pad guide by means of
DUCKHAMS 'KE.24' (or equivalent).

Fit the new withdrawal pad.

Align the holes in the withdrawal fork with that in its shaft.

Fit the pins : leave the correct projection D with reference to the withdrawal fork $D = 1 \text{ mm } (1/32\text{'})$.

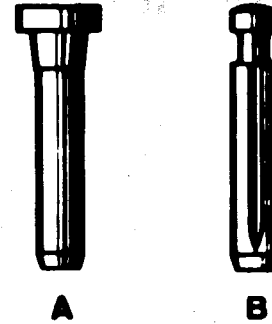


Fig. 10 - Fork retaining pins.

NOTE : Only fit splined pins B under repair.
Refit the gearbox (transmission case).

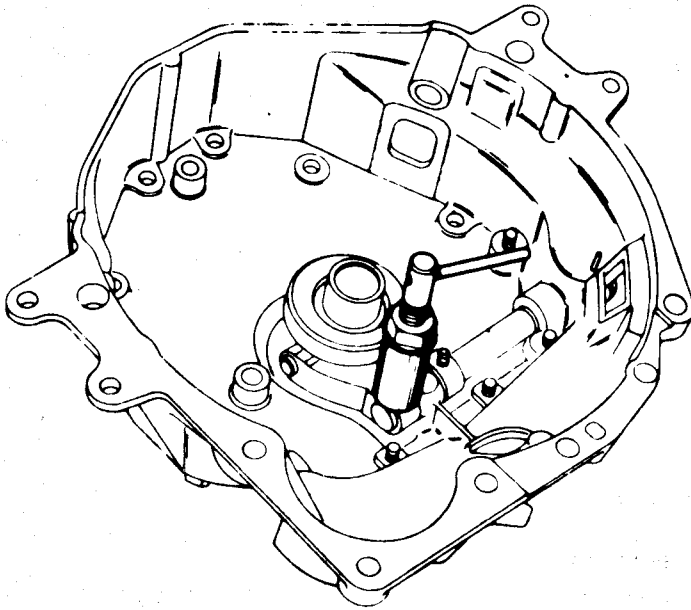


Fig. 11 - Removing the fork retaining pins.

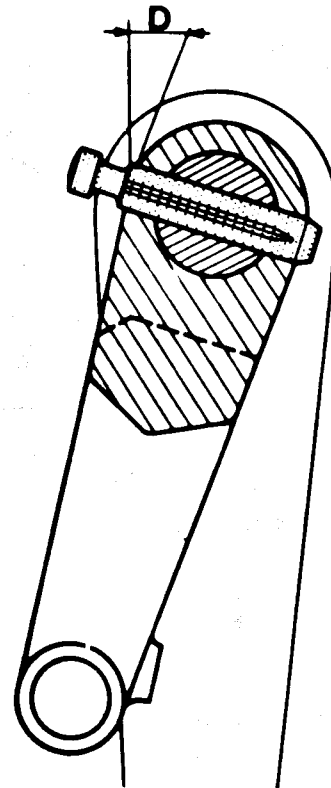


Fig. 12 - Pin projection.

2.6 - REMOVING AND REFITTING THE CLUTCH CABLE.

A/ REMOVING.

Disconnect the cable at the clutch withdrawal lever.

Push out the cable end fitting from its clamp.

Pull the outer cable forwards to remove it from the engine mounting bracket.

Remove the split pin from the clevis situated on the right hand lever of the pedal shaft.

Remove the clevis pin.

Free the clevis and cable assembly from its lever on the pedal shaft.

Roll the edge of the carpet away from the tunnel side at the front of the drivers seat to reveal the outer cable bracket on the chassis side.

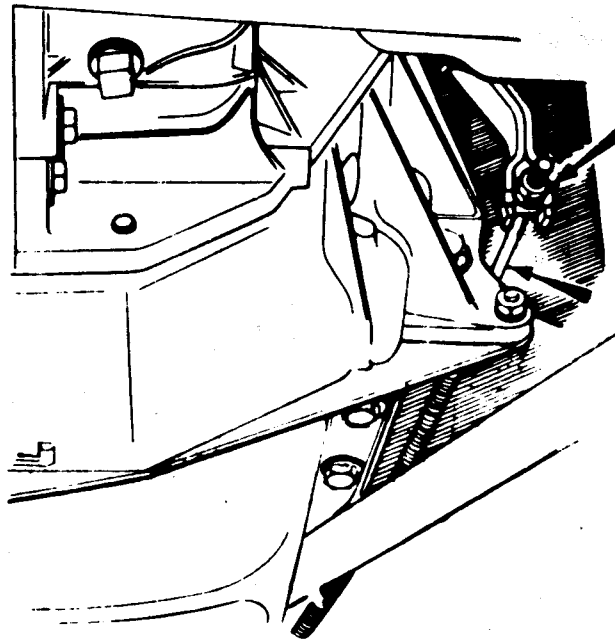


Fig. 13 - Cable attachment at clutch lever.

Pull the outer cable slightly rearwards to release it from the bracket and disengage the inner cable from the slot on the bracket.

Pull the cable forwards to remove it from the vehicle.

B/ REFITTING.

Carry out the removal operation in reverse.

Check that the inner cable is greased and slides freely within the outer cable before fitting to the vehicle.

Adjust the clutch clearance.

2.7 - REMOVING AND REFITTING THE CLUTCH PEDAL.

A/ REMOVING.

The clutch and brake pedals are constructed as an assembly using a common shaft. Consequently, should it be necessary to remove either pedal, the assembly must be detached.

Disconnect the cable at the clutch withdrawal lever.

Remove the split pin from the clevis situated on the right hand lever of the shaft.

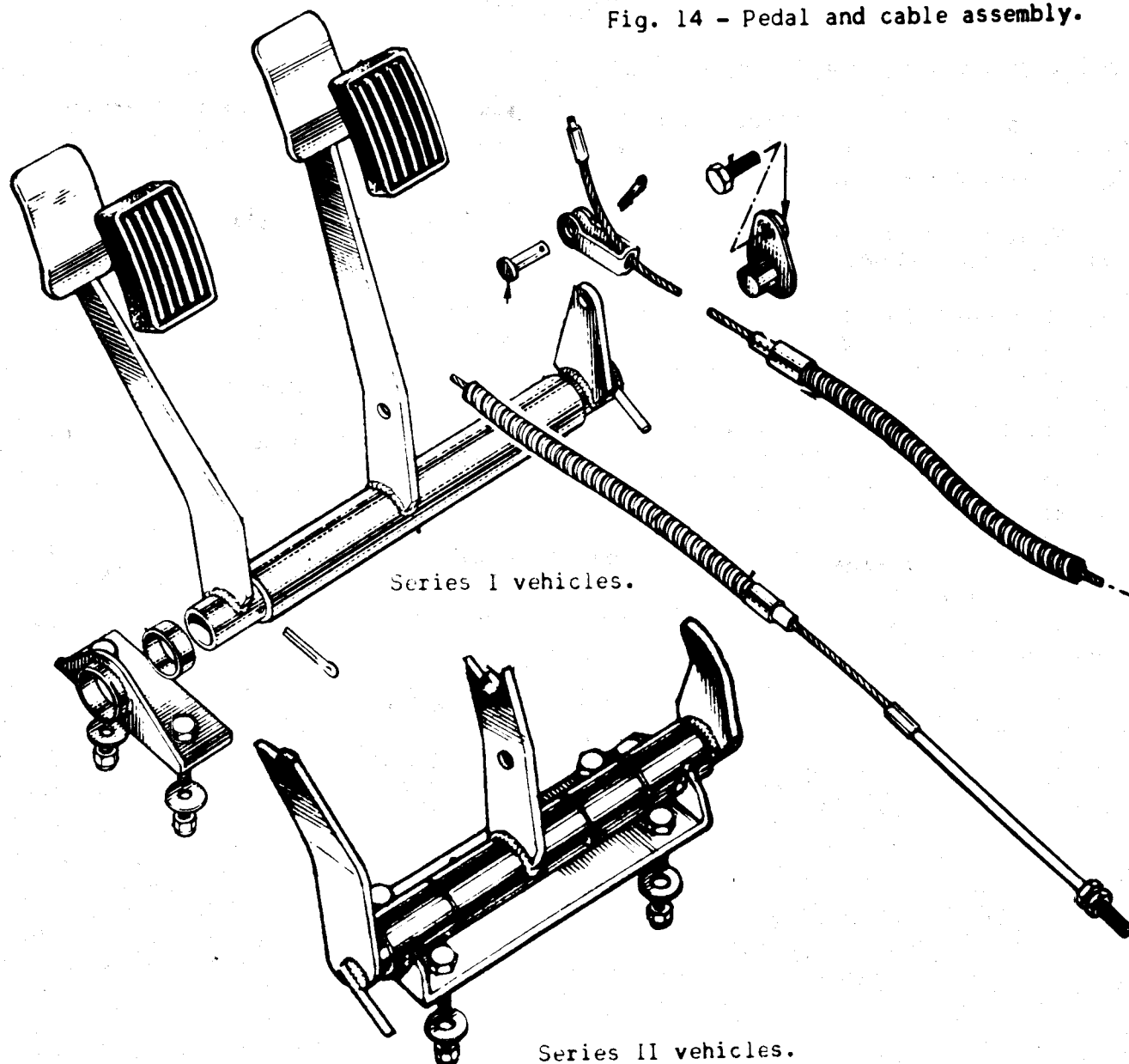
Remove the clevis pin.

Free the clevis and cable from its lever on the pedal shaft.

Remove the split pin from the clevis on the brake pedal.

Remove the clevis pin and disconnect the clevis from the brake pedal, taking care not to pull the pushrod out of its socket on the master cylinder.

Fig. 14 - Pedal and cable assembly.

**Series I vehicles :**

Remove the two nyloc nuts and penny washers that secure the studs of the outer pedal mounting bracket to the under-surface of the body.
Remove the bracket and pull the pedal assembly from the spigot mounting on the tunnel.

Series II vehicles :

Remove the four nyloc nuts and penny washers from the studs of the pedal mounting bracket that protrude beneath the under-surface of the vehicle.
Remove the bracket from the vehicle.

B/ REFITTING.

Carry out the removal operation in reverse.

Check that the clutch shaft is greased and pivots freely within the brake tube.
Replace the bearing in the mounting bracket if necessary.

Before connecting the brake and clutch see that the pedals pivot freely.

Check clutch clearance, and check the brakes for correct operation.

ADDITIONAL INFORMATIONQ.8 - CLUTCH CABLE FORWARD ABUTMENT

The method of mounting the forward clutch cable abutment has been revised to provide a stronger fixing. This has been introduced as a running change and no chassis numbers are available.

If the occasion arises where it is necessary to incorporate the stronger fixing, the following procedure is recommended.

1. Disconnect the clutch cable from the pedal (Section 'Q.6'). Pull back the carpet from the driver's side of the transmission tunnel adjacent to the seat to expose the forward abutment.
2. Pull the outer cable slightly rearwards to release from abutment.
3. Drill out the 'pop' rivets which secure the abutment to the tunnel.
4. Using a new abutment (Part No. A46 A 0170), cut off the bent part (which is slotted to take the cable) and discard. Drill out the holes in both the original and modified abutments, and in the tunnel side to take No.10 UNF setscrews.
5. Refit the original abutment and with a second operator below the car, secure the new strengthening piece and original with two setscrews (Part No. 026 B 6001) and nuts (Part No. YUFN 030F), fixing the nuts from beneath the car.
6. Replace clutch cable and carpet.